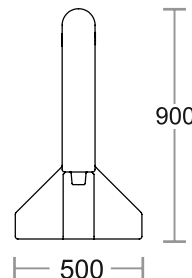
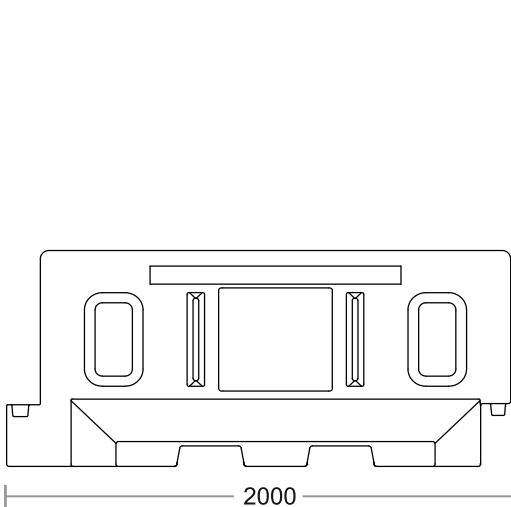
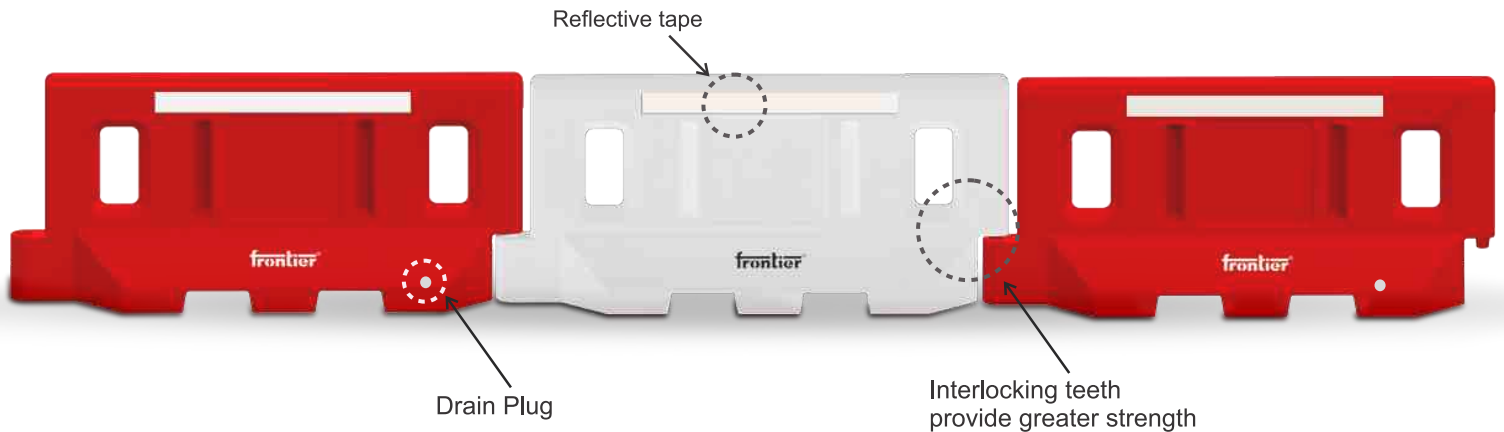


DOMINATOR ROAD SAFETY BARRIER

Frontier Dominator barrier is a 2 meter water filled Barriers available in 2000 mm length, 500 mm width and 900 mm height configuration. These Road Safety Barriers are available in Red, White, Green, Blue, Yellow and are UV stabilized for long term colour retention. These Interlocking Barriers are ideal for creating wall effect. Up to 100 Lts water ballast can be filled in them. These crash barriers are a good deterrent on roads. They also have a provision for messages and branding and which is very sturdy and highly recommended at toll plazas.



- High Impact Resistance
- Non-Fading Colour
- 2 Mt. modules works out most economical
- Extremely easy to setup and knockdown
- UV stabilised Polymer
- 70 mm wide white reflective tape on top surface
- 100% interlocking
- Can follow curves and bends and 90 Degree
- Water Ballast 100 Liters
- Through holes for better stability and passage of wind



Dimensions:

Length (mm)	Width (mm)	Height (mm)	Water Ballast (Lts)
2000	500	900	100

*SINCE THE MATERIAL IS PLASTIC, SHRINKAGE / EXPANSION OF ATLEAST 3% IS TO BE CONSIDERED IN DIMENSION

FRONTIER POLYMERS PVT. LTD.

Frontier House, 19 - Forest Lane, Kh No. 13/2, Opp Metro Pillar no. 104,
Near Ghitorni Petrol Pump, Mehrauli - Gurgaon Road, New Delhi - 110030

Mobile + 91- 98 9999 8545

E-mail: info@trafficsafetyindia.com, URL: www.trafficsafetyindia.com,